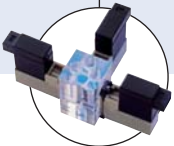




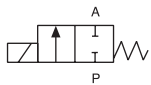
Type 6124 can be combined with...



Manifolds

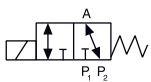
Thanks to the patented Bürkert flipper technology, the direct-acting Type 6124 solenoid valve is unique. It combines fast, precise switching behaviour with reliable media separation, and the design eliminates heat transfer between fluid and coil. FKM and PEEK allows the use of neutral and slightly aggressive fluids. The optional impulse model works with the smallest energy requirement, and is therefore especially suitable for battery operation; the heat transfer to the medium is negligible for this model. A minimal dead volume and gap-free internal design make it possible to use it in medical, analytical and laboratory technology.

Circuit function A



2/2-way valve, NC

Circuit function T



3/2-way valve,
universal function

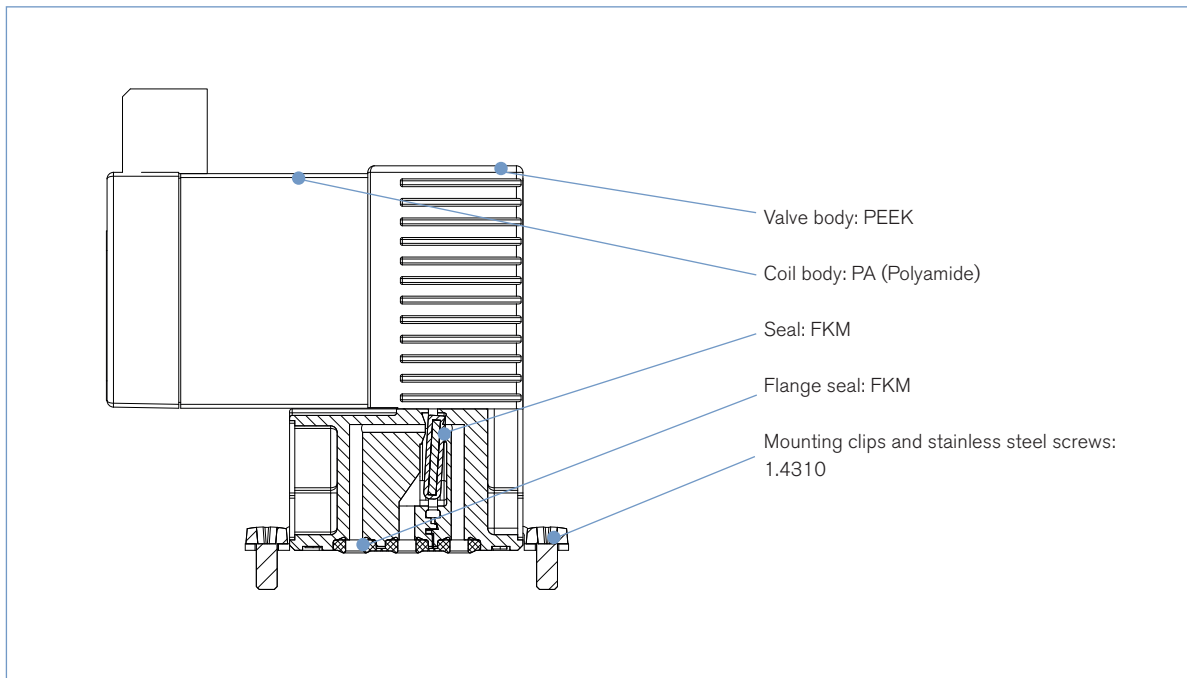
2/2 and 3/2-way Flipper Solenoid Valve, with hermetic isolation of fluid

- Low internal volume
- Low power consumption
- High back pressure tightness
- Optional impulse model
- DN 0.6 mm

Technical data	
Orifice	DN 0.6 mm
Body material	PEEK
Seal material	FKM
Medium	Resistant to neutral and slightly aggressive liquids and gases; see Bürkert chemical resistance chart
Medium temperature	0 to +50 °C
Ambient temperature	Max. +55 °C
Viscosity	Max. 21 mm ² /s
Internal volume	
Fluid chamber	Approx. 15µl
3/2-way versions	Approx. 45µl
2/2-way versions	Approx. 35µl
Port connection	Flange UNF 1/4" - 28, Tube spigot on request
Manual override	Push manual override
Operating voltage	6, 12, 24 V/DC *
Voltage tolerance	±10%
Power consumption	1.5 W
Duty cycle	100% continuous rating
Manifold mounting (in case Media- or ambient temperature higher +40 °C)	40% intermittent rating (10 min)
Cycling function	Monostable or bistable (option)
Electrical connections	Rectangular plug or 2 single flying leads, 300 mm
Protection class	IP 40
Mounting (sub-base valve)	with holders and mounting screw
Installation	As required, preferably with flange downwards

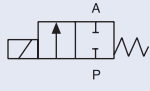
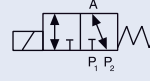
* 10% residual ripple permissible

Materials



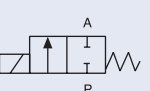
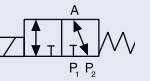
Ordering chart with flange connection (other versions on request)

All valves with PEEK body and FKM seal, rectangular plug types delivered without plug (see Accessories).
The delivery of each valve includes 2 holders with cheese head M 1.6 x 5 screws.

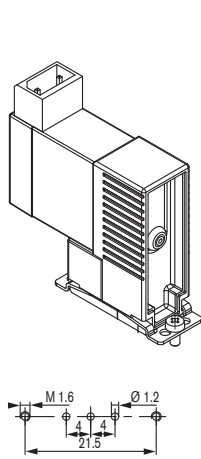
Circuit function	Orifice [mm]	Kv value water [m ³ /h]	Kv value II water [l/min]	QNn value air [l/min]	Pressure range [bar]	Cycling function	Voltage/Frequency [V/Hz]	Electrical connection	Item no.					
A  2/2-way valve, NC	0.6	0.006	0.1	6.4	Vac - 3	monostable	12/DC	Rectangular plug 5.08 mm	144120					
								Flying leads, 300 mm	144122					
							24/DC	Rectangular plug 5.08 mm	144121					
													Flying leads, 300 mm	144123
						bistable (impuls drive)	6/DC	Flying leads, 300 mm	146175					
							12/DC	Rectangular plug 5.08 mm	143376					
							Flying leads, 300 mm	146176						
T  3/2-way valve, universal function	0.6	0.006	0.1	6.4	Vac - 3	monostable	12/DC	Rectangular plug 5.08 mm	140457					
								Flying leads, 300 mm	140459					
							24/DC	Rectangular plug 5.08 mm	140458					
													Flying leads, 300 mm	142089
						bistable (impuls drive)	12/DC	Rectangular plug 5.08 mm	140460					
								Flying leads, 300 mm	143171					

Ordering chart with tube spigots sideways (other versions on request)

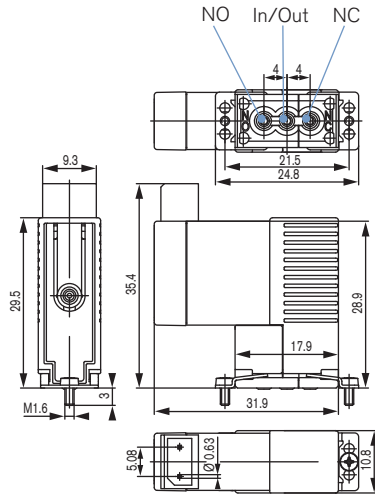
All valves with PEEK and FKM seals, rectangular plug types delivered without plug (see Accessories).

Circuit function	Orifice [mm]	Kv value water [m ³ /h]	Kv value II water [l/min]	QNn value air [l/min]	Pressure range [bar]	Cycling function	Voltage/Frequency [V/Hz]	Electrical connection	Item no. tube spigots sideways
A  2/2-way valve, NC	0.6	0.006	0.1	6.4	Vac - 3	monostable	12/DC	Rectangular plug 5.08mm	145646
									Flying leads 300mm
							24/DC	Rectangular plug 5.08mm	145647
								Flying leads 300mm	145649
T  3/2-way valve, universal function	0.6	0.006	0.1	6.4	Vac - 3	monostable	12/DC	Rectangular plug 5.08mm	145 641
									Flying leads 300mm
							24/DC	Rectangular plug 5.08mm	145 642
								Flying leads 300mm	145 643

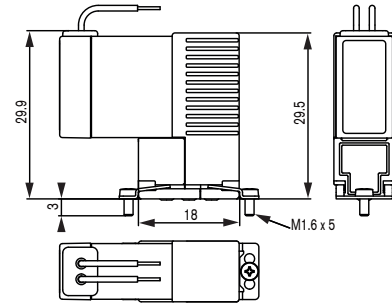
Dimensions [mm] Valves with tube spigots sideways (tube spigots downwards on request)



Mounting face
for manifold

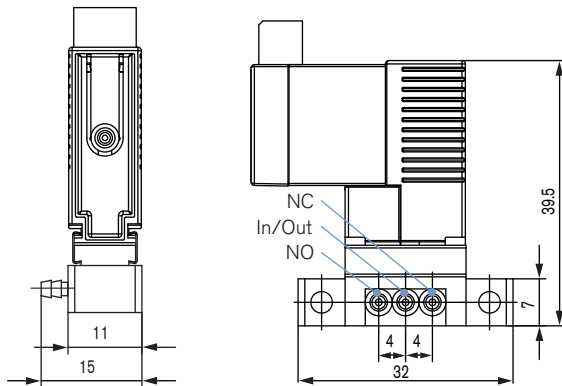


Valve with rectangular plug and holders



Valve with flying leads and holders

Valve with tube spigot sideways



NO is a blind nipple on 2/2-way valves

Ordering chart accessories

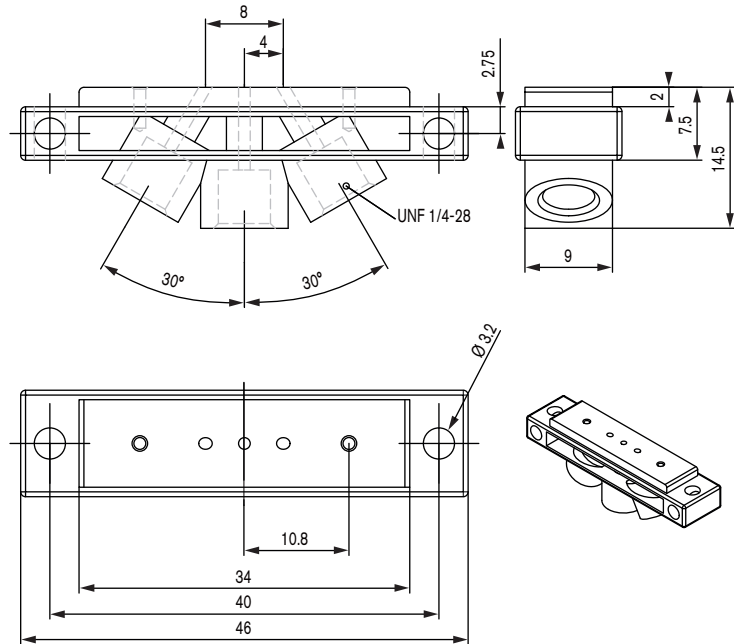
Accessories	Feature	Item no.
Rectangular cable plug	with 3m cable	133 486
	with 300mm flying leads	644 068
	with 2 single contacts	644 067
Single PEEK manifold (Complete, assembled valve with UNF port on request)	with 3x UNF 1/4"-28	645 754
Single manifold stainless steel	with 3x M3 connection Version with mounted manifold possible on request	644 684
Multi-station manifolds in PEEK	2 valves	659 285
	3 valves	659 286
	4 valves	659 287
	5 valves	653 131
	6 valves	659 288
	7 valves	659 289
	8 valves	659 290
	9 valves	659 291
	10 valves	651 379

Other accessories on request:

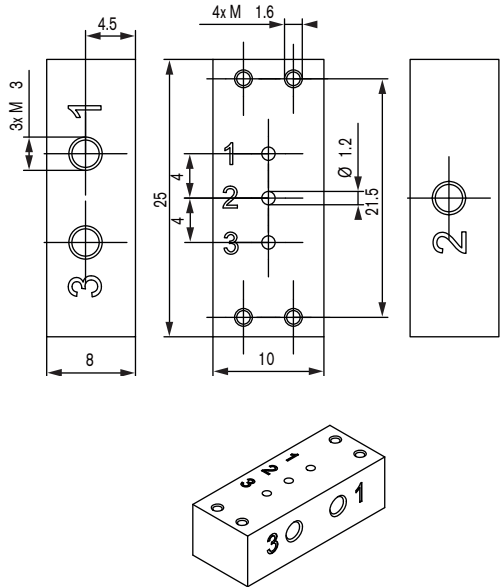
- Customised manifolds
- Fittings and tubes (see also type 1013 AA05)
- Rectangular cable plug, grid spacing 5.08 mm, for plate mounting
- Peak and hold electronics

Manifolds [mm]

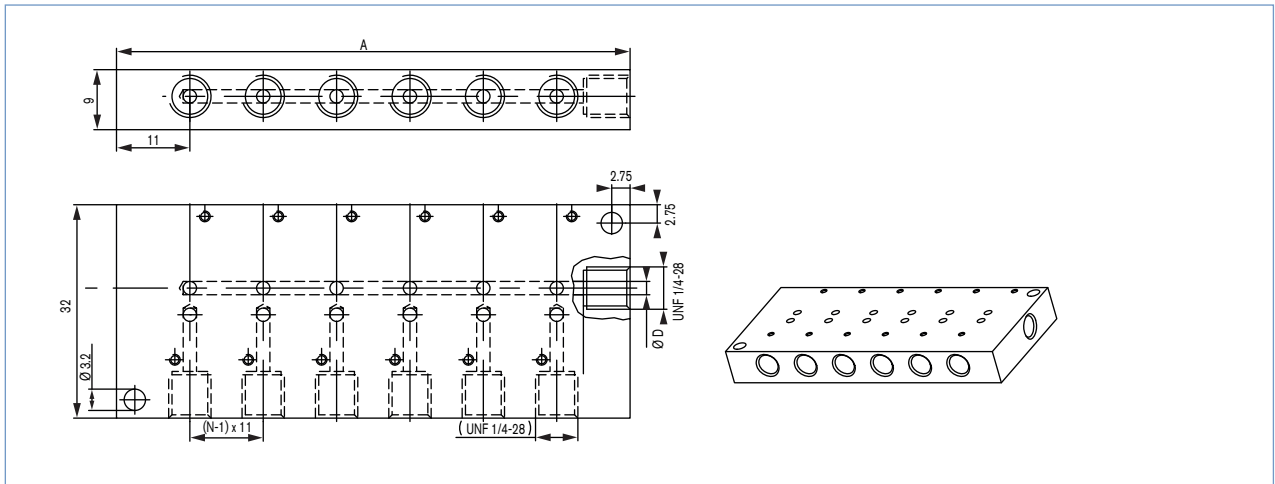
Single manifold UNF 1/4"-28, PEEK



Single manifold M3, stainless steel



Multi-station manifolds PEEK [mm]



Numer of valve positions	2	3	4	5	6	7	8	9	10
Dimensions A [mm]	33	44	55	66	77	88	99	110	121
Dimensions D [mm]	1.2	1.2	1.2	2	2	2	2	2	2

To find your nearest Bürkert facility, click on the orange box →

www.burkert.com

In case of special application conditions, please consult for advice.

Subject to alterations
© Christian Bürkert GmbH & Co. KG

0812/2_EU-en_00891745