

Positive displacement flow fitting for continuous measurement and batch control

- DN 15 to 100
- INLINE Quarter-Turn technology
- Electronics for indication, monitoring, transmitting, On/Off control and batch control

Type S070 can be combined with...



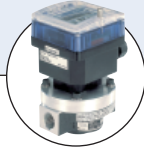
Type 8070

Positive displacement flow sensor



Type 8072

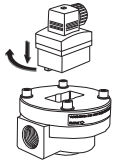
Positive displacement flow switch



Type 8075

Positive displacement flow transmitter

This positive displacement fitting is specially designed for flow measurement or batch control of highly viscous fluids like glue, honey or oil.



This measuring element must be associated to an electronic module SE30, SE32, SE35 with hall sensor principle only, quickly and easily connected together by a Quarter-Turn.

The design of this fitting is based on the oval rotor principle. This has proven to be a reliable and highly accurate volumetric method of measuring flow. Exceptional repeatability and high accuracy over a wide range of viscosities and flowrates are features of that design. The low pressure drop and high pressure rating make it suitable for both gravity and pump (in-line) applications.

General data	
Compatibility	With electronic SE30, SE32, SE35 with Hall sensor principle (see separate data sheet)
Materials wetted parts	
Body	Aluminium, PPS, stainless steel (316F)
Rotor	PPS, aluminium, stainless steel (316F)
Shaft	Stainless steel (316F)
Seal	FKM (EPDM or PTFE on request)
Environment	
Ambient temperature	0 up to 60°C (32 to 140°F) (operation and storage)
Standards, directives and approvals	
Protection class	IP66 (NEMA 6)
Directives	
Pressure	Complying with article 3 of §3 from 97/23/CE directive.* (without CE mark)

* For the 97/23/CE pressure directive, the device can only be used under following conditions (depend on max. pressure, pipe diameter and fluid).

Type of fluid	Conditions
Fluid group 1, §1.3.a	Forbidden
Fluid group 2, §1.3.a	DN ≤ 32, or DN > 32 and PN*DN ≤ 1000
Fluid group 1, §1.3.b	Ok (PN*DN ≤ 2000)
Fluid group 2, §1.3.b	Ok DN ≤ 200

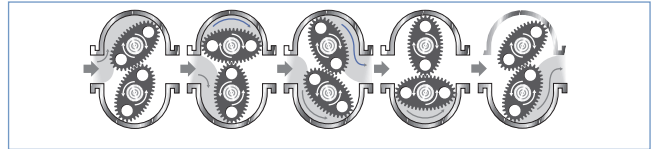
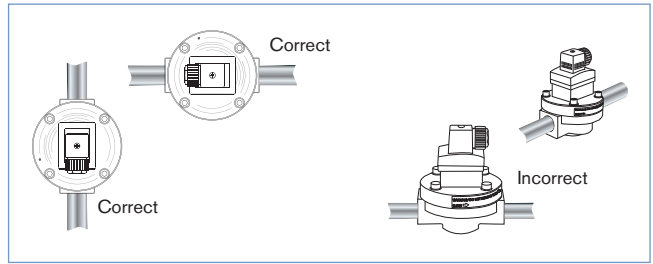
Complete device data	
Pipe diameter	DN15 to 100
Thread connection	1/2"; 1"; 1 1/2"; 2"; 3" (G or NPT)
Flange connection	25; 40; 50; 80 or 100 mm DIN 16 flange 1"; 1 1/2"; 2"; 3" or 4" ANSI 150LB flange
Measuring range	
Viscosity > 5 cps	2 to 1200 l/min (0.26 to 320 gpm)
Viscosity < 5 cps	3 to 616 l/min (0.78 to 160 gpm)
Medium temperature max.	Aluminium body: 80°C (176°F) Stainless steel body: 120°C (248°F)
Fluid pressure max.	
DN15	55 bar (798.05 PSI) (threaded process connection)
DN25	55 bar (798.05 PSI) or flanges rules where fitted
DN40/DN50	18 bar (261.18 PSI)
DN80	12 bar (174.12 PSI)
DN100	10 bar (145.1 PSI)
Viscosity	1000 cps. max. (higher on request)
Max. particle size	250 µm - To prevent damage from dirt or foreign matter, we strongly recommend the installation of a 250 µm strainer as close as possible to the inlet side of the meter.
Accuracy	≤ ± 0.5% of Reading
Repeatability	≤ 0.03% of Reading

Installation and operation

The fitting can handle particle sizes up to 250 µm. To prevent damage from dirt or foreign matter, we strongly recommend the installation of a 250 µm strainer as close as possible to the inlet side of the meter. The pipe must be filled with liquid and free from air bubbles. Avoid air purge of the system.

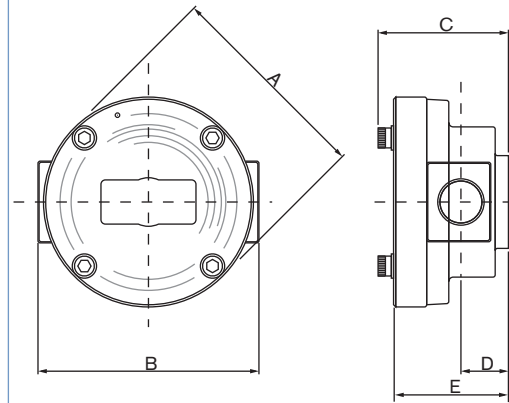
Ensure the fitting is installed so that the rotor shafts are always in a horizontal position. Flow direction is marked by an arrow on the body.

When fluid passes through the fitting, rotors turn. This rotation produces a measuring frequency in the associated hall sensor, which is proportional to the flow.



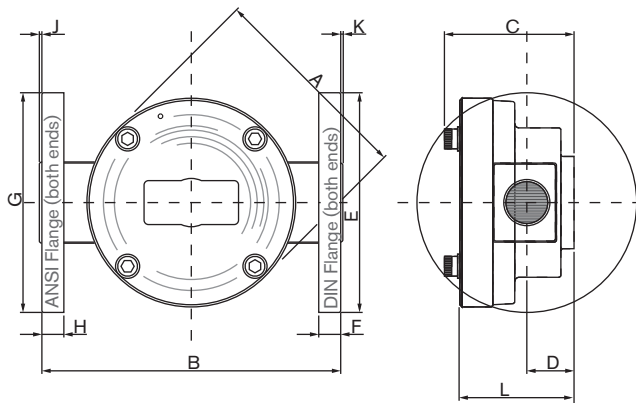
Dimensions [mm]

Threaded connection



Orifice DN	A	B Stainless steel	B Aluminium	C	D	E
15	96	100	100	61	20	55
25	112	143	133	91	35	85
40	144	150	150	120	45	112
50	178	210	210	150	55	140
80	220	256	256	212	77	202

Flanged connection



Orifice DN	A	B St. St.	B Al.	C	D	E	F	G	H	J	K	L
25	112	170	170	91	35	115	16	108	16.0	1.6	1.6	85
40	144	212	212	120	45	150	16	127	17.5	1.6	1.6	112
50	178	240	214	150	55	165	18	152	19.0	1.6	1.6	140
80	220	344	344	212	77	200	22	191	22.5	1.6	1.6	202
100	291	385	385	230	108	220	22	229	22.5	1.6	1.6	234

Ordering chart for fitting Type S070

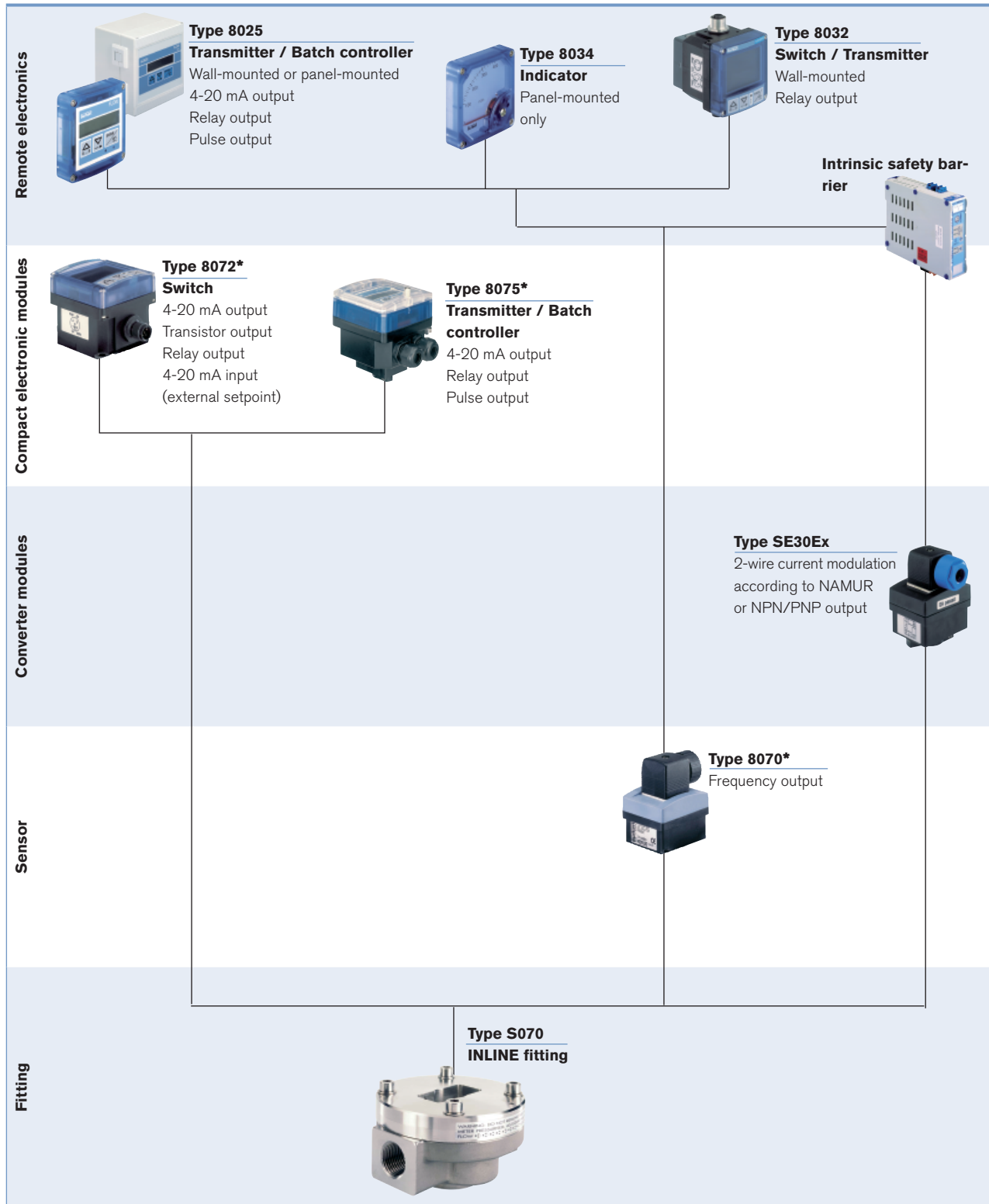
Orifice DN	Process connection	Flow Range		Body material	Rotor material	Gasket	Item no.
		> 5 cps	< 5 cps				
15	G 1/2"	2 - 30 l/min	3 - 25 l/min	Aluminium	PPS	FKM	443 985
				Stainless steel	Stainless steel	FKM	443 990
	NPT 1/2"	2 - 30 l/min	3 - 25 l/min	Aluminium	PPS	FKM	443 995
				Stainless steel	Stainless steel	FKM	444 000
25	G 1"	6 - 120 l/min	10 - 100 l/min	Aluminium	PPS	FKM	443 986
				Stainless steel	Stainless steel	FKM	443 991
	NPT 1"	6 - 120 l/min	10 - 100 l/min	Aluminium	PPS	FKM	443 996
				Stainless steel	Stainless steel	FKM	444 001
	25 mm DIN 16 flange	6 - 120 l/min	10 - 100 l/min	Aluminium	PPS	FKM	553 637
				Stainless steel	Stainless steel	FKM	553 634
	1" ANSI 150 LB flange	6 - 120 l/min	10 - 100 l/min	Aluminium	PPS	FKM	553 636
				Stainless steel	Stainless steel	FKM	553 633
40	G 1 1/2"	10 - 250 l/min	15 - 235 l/min	Aluminium	PPS	FKM	443 987
				Stainless steel	Stainless steel	FKM	443 992
	NPT 1 1/2"	10 - 250 l/min	15 - 235 l/min	Aluminium	PPS	FKM	443 997
				Stainless steel	Stainless steel	FKM	444 002
	40 mm DIN 16 flange	10 - 250 l/min	15 - 235 l/min	Aluminium	PPS	FKM	443 988
				Stainless steel	Stainless steel	FKM	443 993
	1 1/2" ANSI 150 LB flange	10 - 250 l/min	15 - 235 l/min	Aluminium	PPS	FKM	443 998
				Stainless steel	Stainless steel	FKM	444 003
50	G 2"	15 - 350 l/min	30 - 300 l/min	Aluminium	PPS	FKM	553 640
				Aluminium	PPS	FKM	553 641
	50 mm DIN 16 flange	15 - 350 l/min	30 - 300 l/min	Aluminium	PPS	FKM	443 989
				Stainless steel	Stainless steel	FKM	443 994
	2" ANSI 150 LB flange	15 - 350 l/min	30 - 300 l/min	Aluminium	PPS	FKM	443 999
				Stainless steel	Stainless steel	FKM	444 004
80	G 3"	20 - 733 l/min	66 - 616 l/min	Aluminium	Aluminium	FKM	553 642
				Aluminium	Aluminium	FKM	553 643
	80 mm DIN 16 flange	20 - 733 l/min	66 - 616 l/min	Aluminium	Aluminium	FKM	553 645
	3" ANSI 150 LB flange	20 - 733 l/min	66 - 616 l/min	Aluminium	Aluminium	FKM	553 644
100	100 mm DIN 16 flange	120 - 1200 l/min	---	Aluminium	Aluminium	FKM	553 647
	4" ANSI 150 LB flange	120 - 1200 l/min	---	Aluminium	Aluminium	FKM	553 646

Ordering chart for spare parts for fitting S070

Description	Orifice Size		Materials	Item no.
	[mm]	[inch]		
Rotor	DN 15	1/2"	PPS	550 933
			Stainless steel	550 934
	DN25	1"	PPS	550 937
			Stainless steel	550 938
	DN40	1 1/2"	PPS	550 941
			Stainless steel	550 942
DN50	2"	PPS	550 945	
		Stainless steel	550 946	

Description	Orifice Size		Materials	Item no.
	[mm]	[inch]		
O-ring	DN 15	1/2"	EPDM	550 929
			FKM	550 930
	DN25	1"	EPDM	550 935
			FKM	550 936
	DN40	1 1/2"	EPDM	550 939
			FKM	550 940
	DN50	2"	EPDM	550 943
			FKM	550 944

Interconnection possibilities with other Bürkert products



* Use only version with Hall transducer

To find your nearest Bürkert facility, click on the orange box →

www.burkert.com

In case of special application conditions, please consult for advice.

Subject to alteration.
© Christian Bürkert GmbH & Co. KG

0910/5_EU-en_00891837